

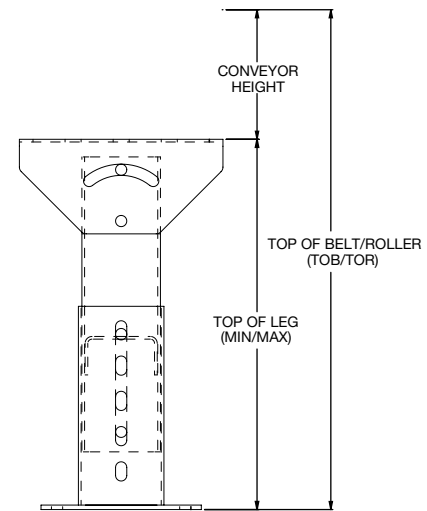
FLOOR SUPPORTS

(STATIONARY)

Selection Process

1. Determine series of leg support needed based on supports listed in the conveyor's catalog page or by locating the conveyor model in the left-side chart below that it will attach to.
2. Determine the support size needed by taking the required dimension from the floor to top of conveying surface and subtracting the conveyor height. Find the appropriate min/max range.

EXAMPLE: The model BS100B belt conveyor uses an SMS floor support per the specification on its catalog page. You can also find it in the left-side charts below. In this same chart you can also find that the conveyor height from bottom of frame to top of conveying surface for the BS100B is 4 1/8". If customer requires a 36" TOB, this would yield a 31 7/8" TOL (36" - 4 1/8"). Looking at the right-side chart for the SMS floor support, you find that an SMS-6 will accommodate 23 5/8" to 35 5/8".



CONVEYOR MODEL	CONVEYOR HEIGHT
RS14, RC14, RL14, RR14,	2 3/4"
WSS, WAS, WSC, WAC, WSL, WSR, WAL, WAR	2 13/16"
BTT25 (Skatewheel conveyor frame)	2 13/16"
BTT25 (1 3/8 gravity roller conveyor frame)	2 3/4"

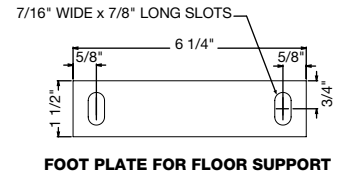
SUPPORT	MIN	MAX
SLSL-1	2	3
SLSL-2	3	4 3/4
SLSL-3	4 3/4	7 3/8
SLS-1	7 5/16	9 1/16
SLS-1.2	8 5/16	10 1/16
SLS-1.4	9 5/16	11 1/16
SLS-2	10 5/16	13 5/16
SLS-3	12 15/16	15 5/16
SLS-4	15 15/16	21 5/16

SUPPORT	MIN	MAX
SLS-5	19 15/16	25 15/16
SLS-6	23 15/16	35 15/16
SLS-7	33 15/16	45 15/16
SLS-8	45 15/16	57 15/16
SLS-9	57 15/16	69 15/16
SLS-10	69 15/16	81 15/16
SLS-11	79 15/16	91 15/16
SLS-12	91 15/16	103 15/16

CONVEYOR MODEL	CONVEYOR HEIGHT
RS19, RC19, RL19, RR19	3 3/4"
BTT35	3 3/4"
BS100B	4 1/8"
BS300B	6 3/4"
BS100C, BR100C, BSI, BRI	6 7/8"

SUPPORT	MIN	MAX
SMSL-1	2	3
SMSL-2	3	4 3/4
SMSL-3	4 3/4	7 3/8
SMS-1	7	8 3/4
SMS-1.2	8	9 3/4
SMS-1.4	9	10 3/4
SMS-2	10	13
SMS-3	12 5/8	15 5/8
SMS-4	15 5/8	21 5/8

SUPPORT	MIN	MAX
SMS-5	19 5/8	25 5/8
SMS-6	23 5/8	35 5/8
SMS-7	33 5/8	45 5/8
SMS-8	45 5/8	57 5/8
SMS-9	57 5/8	69 5/8
SMS-10	69 5/8	81 5/8
SMS-11	79 5/8	91 5/8
SMS-12	91 5/8	103 5/8



CONVEYOR MODEL	CONVEYOR HEIGHT
8\" end drive support for BS100B or BS300B	6 1/4"

SUPPORT	MIN	MAX
SMSD-0-10	3 3/4\" fixed height	
SMSD-0-11	4 3/4\" fixed height	
SMSD-0-12	5 3/4\" fixed height	
SMSD-0-13	6 3/4\" fixed height	
SMSD-0-14	7 3/4\" fixed height	
SMSD-0-15	8 3/4\" fixed height	
SMSD-0-16	9 3/4\" fixed height	
SMSD-1	10 3/16	11 15/16
SMSD-1.2	11 3/16	12 15/16
SMSD-1.4	12 3/16	13 15/16
SMSD-2	13 3/16	16 3/16

SUPPORT	MIN	MAX
SMSD-3	15 13/16	18 13/16
SMSD-4	18 13/16	24 13/16
SMSD-5	22 13/16	28 13/16
SMSD-6	26 13/16	38 13/16
SMSD-7	36 13/16	48 13/16
SMSD-8	48 13/16	60 13/16
SMSD-9	60 13/16	72 13/16
SMSD-10	72 13/16	84 13/16
SMSD-11	82 13/16	94 13/16
SMSD-12	94 13/16	106 13/16

CONVEYOR MODEL	CONVEYOR HEIGHT
RS25, RC25, RS26, RC26 (rolls set high)	4 3/8"
RS25, RC25, RS26, RC26 (rolls set low)	3 1/4"

SUPPORT	MIN	MAX
SHSL-3	1/2\" fixed height	
SHSL-4	1/2	2 1/4
SHSL-5	2 1/4	6 1/8
SHS-1	6 1/8	7 5/8
SHS-2	7 5/8	10 5/8
SHS-3	10 5/8	13 5/8
SHS-4	13 5/8	16 5/8
SHS-5	16 5/8	19 5/8

SUPPORT	MIN	MAX
SHS-6	19 5/8	25 5/8
SHS-7	25 5/8	31 5/8
SHS-8	31 5/8	43 5/8
SHS-9	43 5/8	55 5/8
SHS-10	55 5/8	67 5/8
SHS-11	67 5/8	79 5/8
SHS-12	79 5/8	91 5/8

CONVEYOR MODEL	CONVEYOR HEIGHT
RS35 (rolls set high)	5 3/8"
RS35 (rolls set low)	4 1/4"

SUPPORT	MIN	MAX
SHSF-9	4\" fixed height	
SHSF-10	4 5/8\" fixed height	
SHSF-11	5 5/8\" fixed height	
SHSF-12	6 5/8\" fixed height	
SHSF-13	7 5/8\" fixed height	
SHSF-14	8 5/8\" fixed height	
SHSF-15	9 5/8\" fixed height	
SHSF-16	10 5/8\" fixed height	
SHSF-17	11 5/8\" fixed height	
SHSF-18	12 5/8\" fixed height	
SHSF-19	13 5/8\" fixed height	

SUPPORT	MIN	MAX
SHSF-20	14 5/8\" fixed height	
SHSF-21	15 5/8\" fixed height	
SHSF-22	16 5/8\" fixed height	
SHSF-23	17 5/8\" fixed height	
SHSF-24	18 5/8\" fixed height	
SHSF-25	19 5/8\" fixed height	
SHSF-26	20 5/8\" fixed height	
SHSF-27	21 5/8\" fixed height	
SHSF-28	22 5/8\" fixed height	
SHSF-29	23 5/8\" fixed height	
SHSF-30	24 5/8\" fixed height	

CAPACITY:

- SLS, SMS, SMSD 1500 lbs. each
- SHS and SHSF 4000 lbs. each

OPTIONAL EQUIPMENT:

- Knee braces
- Single center leg