

DC80

DRAG CHAIN CONVEYOR

The DC80 drag chain conveyor is designed to convey pallets from point A to B. Each strand of chain is a continuous loop driven by a common shaft.



- 2 strand or 3 strand
- Multiple strand centers available
- Modular design
- Center drive with take-up

CONVEYOR WEIGHTS (LBS.)										
2 STRAND MODEL DC80-2	FRAME WIDTH (IN.)									
	26 1/2"	29 1/2"	32 1/2"	35 1/2"	38 1/2"	41 1/2"	44 1/2"	47 1/2"	50 1/2"	53 1/2"
	STRAND CENTERS (IN.)									
LENGTH	24"	27"	30"	33"	36"	39"	42"	45"	48"	51"
Base Length - 7 ft.	629	645	660	676	691	707	722	742	753	769
Per foot	61	66	71	75	80	84	89	94	98	103

CONVEYOR WEIGHTS (LBS.)										
3 STRAND MODEL DC80-3	FRAME WIDTH (IN.)									
	50 1/2"	56 1/2"	62 1/2"	68 1/2"	74 1/2"	80 1/2"	86 1/2"	92 1/2"	98 1/2"	104 1/2"
	STRAND CENTERS (IN.)									
LENGTH	24"	27"	30"	33"	36"	39"	42"	45"	48"	51"
Base Length - 7 ft.	913	940	971	1002	1034	1065	1123	1127	1159	1205
Per foot	107	116	125	134	144	153	162	171	181	190

STANDARD SPECIFICATIONS

FRAME – 6 in. x 4 ga. formed angle w/ 2 in. x 1/4 in. square support tube. coupling channels located at infeed and discharge ends of each module. powder coated.

CHAIN – No. 80 single pitch conveyor chain (straight sidebar)

- 2 strands (Model DC80-2): See chart for available strand centers
- 3 strands (Model DC80-3): See chart for available strand centers

CHAIN GUIDE – UHMW polyethylene

BEARINGS – Sealed, pre-lubricated, self-aligning, ball bearings.

CONVEYING SPEED – Constant 30 FPM

GEAR MOTOR – 2 HP – 230/460 – 3 phase – 60 Hz, located underneath in 5 ft. long module.

DRIVE SPROCKETS – Hardened 80B15 sprockets with 1 1/2 in. dia. steel shaft

MAXIMUM UNIT LOAD: 4000 lbs. Not to exceed drive capacity in chart.

OPTIONAL EQUIPMENT

FLOOR SUPPORTS – Available in a wide range of adjustments. Specify top of chain elevation. One support is required at every bed joint and at ends of conveyor. Holes in feet are provided for lagging to floor.

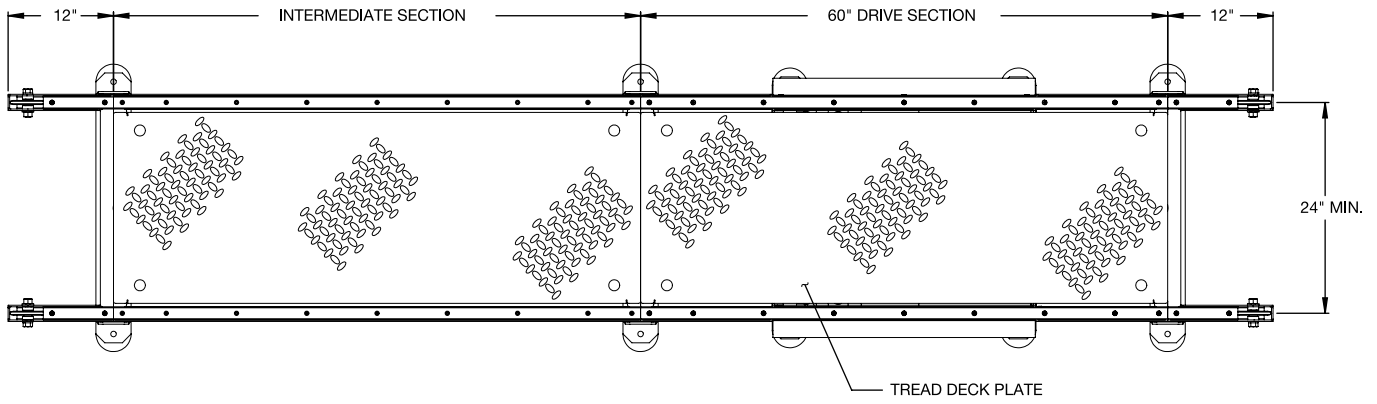
CONVEYING SPEED – Other constant and variable speeds, consult factory.

MOTORS – Inverter duty, premium energy efficient, 3 HP maximum.

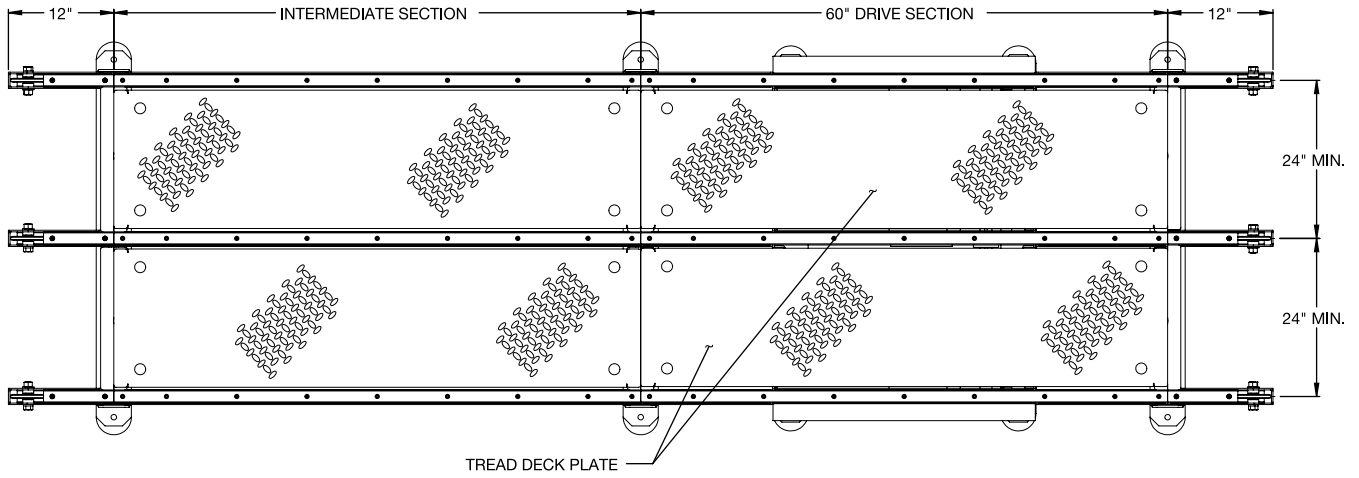
ELECTRICAL CONTROLS – Non-reversing and reversible starters, push button stations, AC variable frequency drive.

FPM	HP	Strands	LOAD CAPACITY (LBS.)			
			12'	32'	52'	102'
20	1 1/2	2	10,624	10,450	10,276	9,841
		3	10,225	9,834	9,442	8,464
30	2	2	9,408	9,234	9,060	8,625
		3	9,009	8,617	8,226	7,248
40	2	2	6,975	6,801	6,627	6,192
		3	6,576	6,184	5,793	4,815

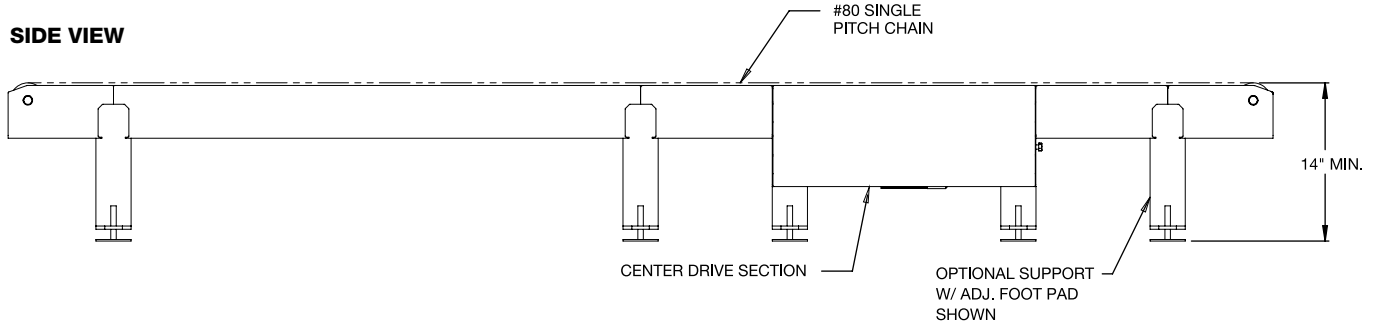
PLAN VIEW - 2 STRAND



PLAN VIEW - 3 STRAND



SIDE VIEW



PALLET STYLES



Typical GMA pallet



Typical CHEP pallet (9 block)