

BDS19T

BELT DRIVEN LIVE ROLLER CONVEYOR (1.9 in. dia. x 16 ga. rollers) (Transportation)

The BDS19T live roller conveyor is ideal for transporting medium to heavy loads. Applications vary from manufacturing to distribution operations.

- 11 widths
- Center drive
- Reversible



Conveyor is shown with optional floor supports.

OVERALL LENGTH	BED LENGTH	CONVEYOR WEIGHT (LBS.)										
		BETWEEN FRAME WIDTH										
		15"	17"	19"	21"	23"	25"	27"	31"	33"	37"	39"
OVERALL FRAME WIDTH												
18"	20"	22"	24"	26"	28"	30"	34"	36"	40"	42"		
10'	8'	670	693	716	739	762	785	808	854	877	923	946
15'	13'	825	858	891	924	957	990	1,023	1,089	1,122	1,188	1,221
20'	18'	980	1,023	1,066	1,109	1,152	1,195	1,238	1,324	1,367	1,453	1,496
25'	23'	1,135	1,188	1,241	1,294	1,347	1,400	1,453	1,559	1,612	1,718	1,771
30'	28'	1,290	1,353	1,416	1,479	1,542	1,605	1,668	1,794	1,857	1,983	2,046
35'	33'	1,445	1,518	1,591	1,664	1,737	1,810	1,883	2,029	2,102	2,248	2,321
40'	38'	1,600	1,683	1,766	1,849	1,932	2,015	2,098	2,264	2,347	2,513	2,596
45'	43'	1,755	1,848	1,941	2,034	2,127	2,220	2,313	2,499	2,592	2,778	2,871
50'	48'	1,910	2,013	2,116	2,219	2,322	2,425	2,528	2,734	2,837	3,043	3,146
55'	53'	2,065	2,178	2,291	2,404	2,517	2,630	2,743	2,969	3,082	3,308	3,421
60'	58'	2,220	2,343	2,466	2,589	2,712	2,835	2,958	3,204	3,327	3,573	3,696
65'	63'	2,375	2,508	2,641	2,774	2,907	3,040	3,173	3,439	3,572	3,838	3,971
70'	68'	2,530	2,673	2,816	2,959	3,102	3,245	3,388	3,674	3,817	4,103	4,246
75'	73'	2,685	2,838	2,991	3,144	3,297	3,450	3,603	3,909	4,062	4,368	4,521
80'	78'	2,840	3,003	3,166	3,329	3,492	3,655	3,818	4,144	4,307	4,633	4,796
85'	83'	2,995	3,168	3,341	3,514	3,687	3,860	4,033	4,379	4,552	4,898	5,071
90'	88'	3,150	3,333	3,516	3,699	3,882	4,065	4,248	4,614	4,797	5,163	5,346
95'	93'	3,305	3,498	3,691	3,884	4,077	4,270	4,463	4,849	5,042	5,428	5,621
100'	98'	3,460	3,663	3,866	4,069	4,272	4,475	4,678	5,084	5,287	5,693	5,896

Note: Conveyor weights are based on 3" roller centers

STANDARD SPECIFICATIONS

BED – 6-1/2 in. deep x 1 1/2 in. flange x 12 ga. powder painted formed steel channel frame with 1.9 in. dia. x 16 ga. galvanized tread rollers spaced every 3 in. and 1.9 in. dia. x 16 ga. galvanized pressure rollers spaced every 6 in. Sections bolted together with butt couplings.

CROSS BRACING – Rods with turnbuckles are fastened to underside of bed to provide proper alignment of bed rollers and insure correct product tracking. Supplied on every other section, 30 ft. bed lengths and over.

DRIVE – Mounted underneath near center of conveyor in sections 7 ft.-6 in. or longer. Center drive units are 18 in. overall width on all conveyor widths.

DRIVE BELT – Black Trackmate 120 EMB.

DRIVE PULLEY – 8 in. dia. with 1-7/16 in. dia. shaft at bearings. Machine crowned and fully lagged.

TAIL PULLEY – 4 in. dia. with 1-1/8 in. dia. shaft at bearings, machine crowned.

TAKE-UP PULLEY – 6 in. dia. with 1-3/16 in. dia. shaft at bearings, machine crowned.

TAKE-UP – Take-up in center drive which provides 16 in. of belt take-up

SNUB IDLER – Adjustable 2-1/8 in. dia. roller with pre lubricated ball bearings.

RETURN IDLER – Adjustable 1.9 in. dia. roller with pre-lubricated ball bearings.

BEARINGS – Sealed, pre-lubricated, self-aligning, ball bearings on drive and tail pulleys. Pre-lubricated ball bearings in tread and pressure rollers.

CONVEYING SPEED – Constant 65 FPM.

SPEED REDUCTION – Sealed worm gear C-Face speed reducer. No. 50 roller chain to drive shaft.

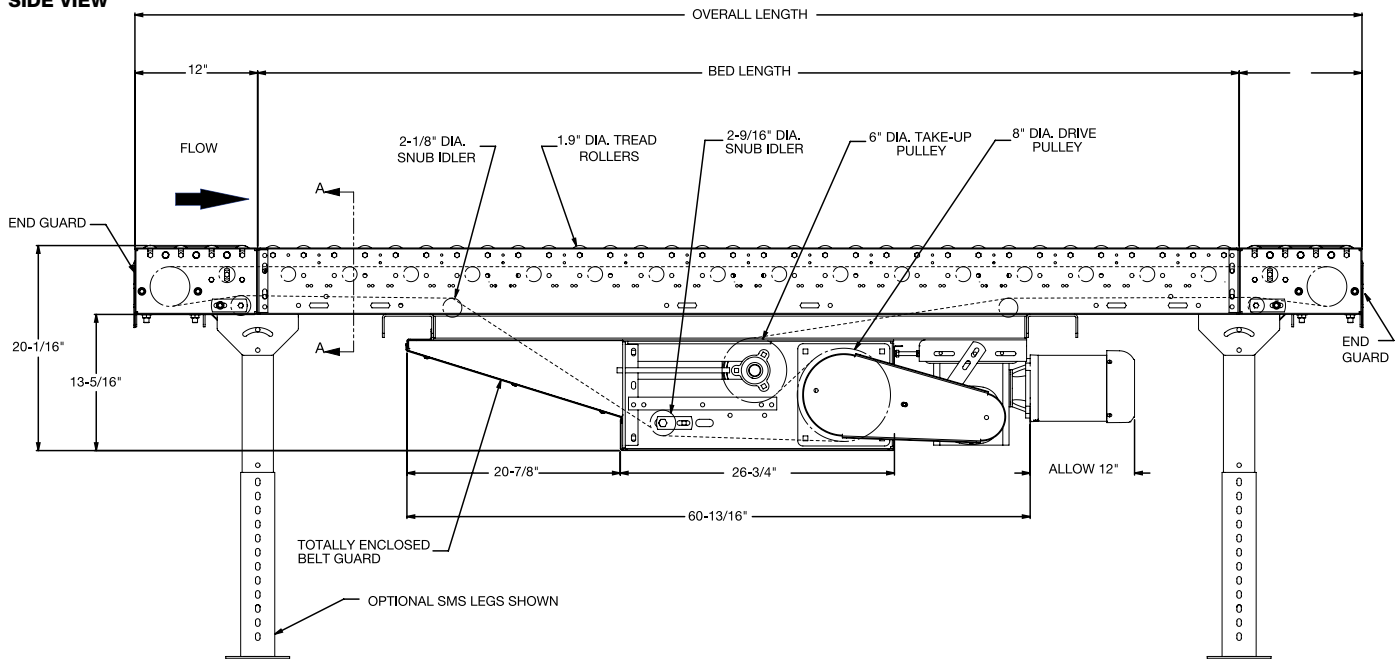
MOTOR – 1/2 HP-230/460 - 3 phase – 60 Hz totally enclosed fan cooled, energy efficient.

CAPACITY – Maximum load per linear foot of conveyor 150 lbs. Total load NOT TO EXCEED capacity in charts.

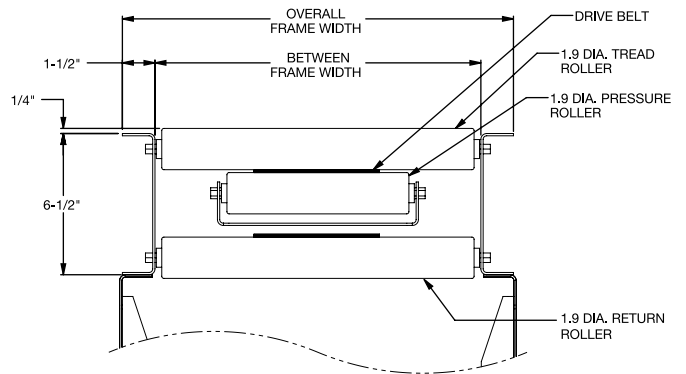
FPM	HP	BETWEEN FRAME WIDTH	LOAD CAPACITY (LBS.)			
			OVERALL LENGTH			
			10'	25'	50'	100'
35	1/2	13"-23"	1,500*	2,700	2,150	1,000
		25"-39"	1,500*	2,350	1,400	N/A
	1	13"-23"	1,500*	3,750*	5,500	4,300
		25"-39"	1,500*	3,750*	4,800	3,100
65	1/2	13"-23"	1,500*	1,200	600	N/A
		25"-39"	1,400	800	N/A	N/A
	1	13"-23"	1,500*	3,000	2,400	1,250
		25"-39"	1,500*	2,600	1,650	N/A
		13"-23"	1,500*	3,750*	6,100	4,800
		25"-39"	1,500*	3,750*	5,300	3,400
120	1	13"-23"	1,500*	1,350	750	N/A
		25"-39"	1,500*	950	100	N/A
	2	13"-23"	1,500*	3,300	2,705	1,550
		25"-39"	1,500*	2,950	2,000	100

* Limited by conveyor capacity

SIDE VIEW



SECTION VIEW A-A



OPTIONAL EQUIPMENT

FLOOR SUPPORTS – SMS Type floor supports are available with a wide range of adjustment. Specify top of belt or roller elevation. One support required at every bed joint and ends of conveyor. Holes in feet for lagging to floor. Knee braces supplied on SMS-7 support and above.

CONVEYING SPEED – Other constant and variable speeds. Note: Capacity affected with speed change.

- Underhung and side mounted drives: 25 – 120 FPM in any increment
- Consult factory for speeds not listed

MOTORS – Inverter duty, premium energy efficient, single phase, brake motor and other characteristics. 2 HP maximum.

SIDE MOUNTED LOW ELEVATION CENTER DRIVE - Motor reducer unit mounted to side of conveyor. 16 in. minimum elevation.

ROLLER CENTERS – Tread rollers spaced every 2 in.

GUIDE RAILS – Adjustable channel guide rail, fixed angle and channel guide rails. Note: If product comes into contact with guide rails, product flow will be affected.

PACKAGE STOPS – Fixed angle, roller or blade type stops

OTHER ACCESSORIES – Poly-tier supports, ceiling hangars. See accessory section.

ELECTRICAL CONTROLS – One direction manual start switch, reversing drum switch, non-reversing and reversible IEC starters, push button stations, AC variable frequency drive.