

## TROUGHED BELT CONVEYOR (Trash Handling)

With its 6 in. high guide rails and minimal belt gap between guide rails, the TBOH belt conveyor is ideal for handling empty cardboard boxes and paper trash.

- Troughed bed
- 8 belt widths
- Center drive and take-up



		CONVEYOR WEIGHTS (LBS.)							
OVERALL LENGTH	BED LENGTH	BELT WIDTH							
		12"	18"	24"	30"	36"	42"	48"	54"
		BETWEEN FRAME WIDTH							
		13"	19"	25"	31"	37"	43"	49"	55"
OVERALL FRAME WIDTH									
4 IN. DIA. TAIL PULLEY				6 IN. DIA. TAIL PULLEY					
12'	10'	732	867	1,002	1,137	1,272	1,408	1,542	1,676
22'	20'	974	1,152	1,330	1,508	1,686	1,865	2,042	2,219
32'	30'	1,216	1,437	1,658	1,879	2,100	2,322	2,542	2,762
42'	40'	1,458	1,722	1,986	2,250	2,514	2,779	3,042	3,305
52'	50'	1,700	2,007	2,314	2,621	2,928	3,236	3,542	3,848
62'	60'	1,942	2,292	2,642	2,992	3,342	3,693	4,042	4,391
72'	70'	2,184	2,577	2,970	3,363	3,756	4,150	4,542	4,934
82'	80'	2,426	2,862	3,298	3,734	4,170	4,607	5,042	5,477
92'	90'	2,668	3,147	3,626	4,105	4,584	5,064	5,542	6,020
102'	100'	2,910	3,432	3,954	4,476	4,998	5,521	6,042	6,563
112'	110'	3,152	3,717	4,282	4,847	5,412	5,978	6,542	7,106
122'	120'	3,394	4,002	4,610	5,218	5,826	6,435	7,042	7,649
132'	130'	3,636	4,287	4,938	5,589	6,240	6,892	7,542	8,192
142'	140'	3,878	4,572	5,266	5,960	6,654	7,349	8,042	8,755
152'	150'	4,120	4,857	5,594	6,331	7,068	7,806	8,542	9,278

## STANDARD SPECIFICATIONS

**BELT** – Black Trackmate 120 EMB

**BED** – 7 1/2 in. deep x 1 1/2 in. flange by 12 ga. powder coated steel channel frame with bolt-in slider pans and cross members. 6 in. high guards. Bed sections bolt together with endcaps.

**CENTER DRIVE / TAKE-UP** – Underhung center drive with chain guard located on left-hand side when standing at infeed looking toward discharge.

- **DRIVE PULLEY** – 8 in. dia. with 1 7/16 in. dia. shaft at bearings. Machined, crowned and fully lagged.
- **TAKE-UP PULLEY** – 6 in. dia. with 1 3/16 in. dia. shaft at bearing
- **TAKE-UP** – Provides 16 in. of belt take-up in center drive

**TAIL PULLEY** – 4 in. dia. with 1 in. dia. shaft at bearings or 6 in. dia. with 1 3/16 in. dia. shaft at bearing. Machined crown.

**SNUB ROLLERS** – Adjustable. 2 1/8 in. dia. or 2 9/16 in. dia. rollers. Grease packed ball bearings. Includes guard.

**RETURN ROLLERS** – Adjustable 1.9 in. dia. rollers. Grease packed ball bearings.

**BEARINGS** – Sealed, pre-lubricated, self-aligning, ball bearings on drive and tail pulleys

**BELT SPEED** – Constant 65 FPM

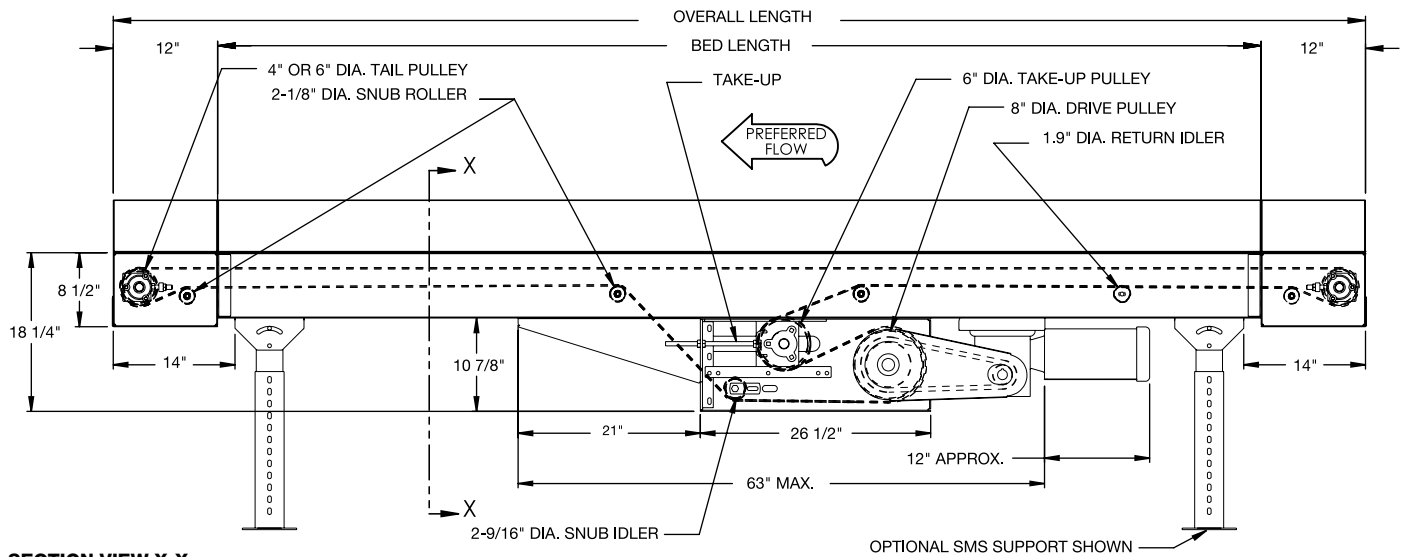
**DUST PANS** – 16 ga. underside dust cover

**SPEED REDUCTION** – Sealed worm gear C-face speed reducer with No. 60 roller chain to drive pulley

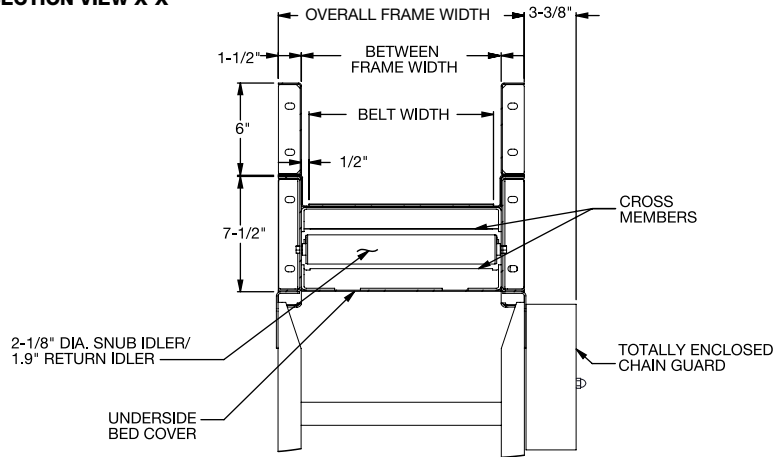
**MOTOR** – 1 HP – 230/460 V – 3 phase – 60 Hz totally enclosed fan cooled

**FRAME CAPACITY** – Maximum load per linear foot of conveyor is 10 lbs. Not to exceed drive capacity in chart.

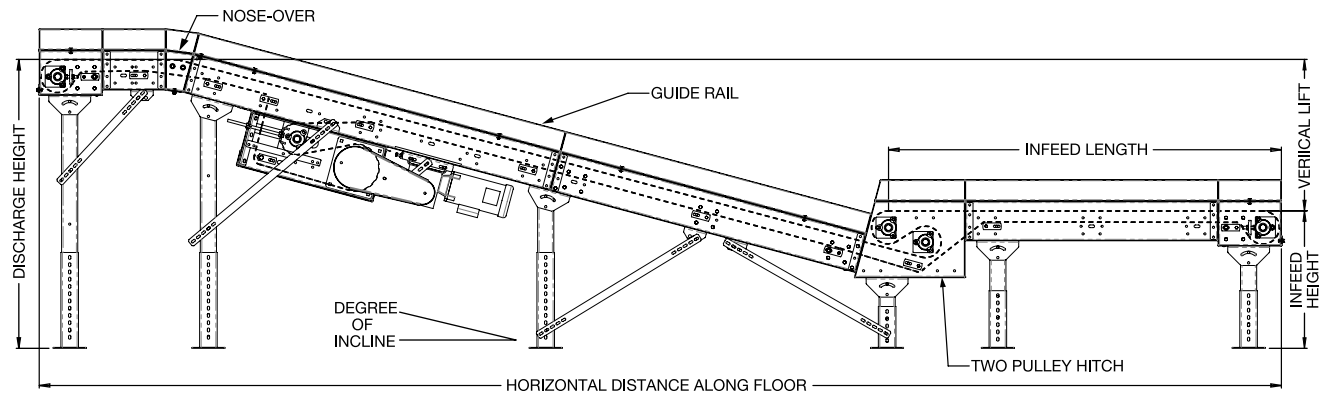
		LOAD CAPACITY CHART (LBS.)							
FPM	HP	BELT WIDTH	HORIZONTAL W/ STANDARD BELT					15" INCLINE W/ROUGHTOP BELT	
			27'	52'	77'	102'	152'	27'	52'
35	1	24"-36"	1,906	1,863	1,822	1,779	1,695	1,024	1,000
		48"-54"	1,870	1,806	1,744	1,680	1,555	1,004	970
	2	24"-36"	3,172	3,129	3,088	3,045	2,961	1,073	1,680
		48"-54"	3,136	3,072	3,010	2,946	2,820	1,684	1,649
65	1	24"-36"	991	948	907	864	780	532	601
		48"-54"	955	891	829	766	640	513	565
	2	24"-36"	1,673	1,630	1,589	1,546	1,461	898	875
		48"-54"	1,637	1,573	1,511	1,447	1,321	879	845
100	1	24"-36"	617	575	533	490	406	331	309
		48"-54"	582	518	456	392	266	309	278
	2	24"-36"	1,060	1,018	976	933	849	569	546
		48"-54"	1,025	961	899	835	709	550	516
135	1	24"-36"	438	395	353	311	226	235	212
		48"-54"	402	338	276	212	86	216	181
	2	24"-36"	766	723	681	639	554	411	388
		48"-54"	730	666	604	540	414	392	357



**SECTION VIEW X-X**



**INCLINE WITH NOSE-OVER AND INFEEED**



## OPTIONAL EQUIPMENT

**FLOOR SUPPORTS** – SMS floor supports are available in wide range of adjustments. Specify top of belt elevation. One support is required at every bed joint and at ends of conveyor. Holes in feet are provided for lagging to floor.

**BELT** – Black Trackmate 120 Roughtop with PVC cover

**BELT SPEED** – Other constant and variable speeds: 17-135 FPM in any increment. Consult factory for speeds not listed above.

**PULLEYS** – 6 in. dia. tail pulley with 1 3/16 in. dia. shaft at bearings in place of 4 in. when not furnished

**MOTORS** – Inverter duty, premium energy efficient, single phase, brake motor, other characteristics. 2 HP maximum.

**SIDE MOUNTED CENTER DRIVE / TAKE-UP** – Provides 16 in. of belt take-up and is suitable for reversing applications. 12 1/2 in. minimum elevation. 66 in. minimum OAL.

**UNDERSIDE TAKE-UP** – Provides 16 in. of belt take-up. Extends down 13 1/8 in. from top of belt.

**8 IN. END DRIVE** – Requires underside take-up

- Underhung end drive: 16 1/2 in. minimum elevation. 103 in. minimum OAL.
- Side mount end drive: 10 in. minimum elevation. 95 in. minimum OAL.

**INCLINE WITH NOSE-OVER AND INFEEED** - 5, 10, 12-1/2, 15, or 20 degree (See drawing below)

- **NOSE-OVER** – Fixed degree nose-over section providing transition from incline to horizontal
- **TWO-PULLEY HITCH** – Fixed degree section providing transition from horizontal infeed to incline while allowing one belt to be used for infeed and incline

**HIGHER GUIDE RAILS** – 12 in., 18 in., or 24 in. high vertical sides. 30 degree flare is also available.

**ELECTRICAL CONTROLS** – One direction manual start switch, reversing drum switch, non-reversing and reversible magnetic starters, push button stations, AC variable frequency drive.