



TROUGHED BELT CONVEYOR (Overhead Conveying/Parts Handling)

The TBOH belt conveyor, with its built-in guide rails is ideal for overhead conveying applications or applications where product orientation is not the main focus. Typical products include boxes, cases, cartons, bags or loose parts.



- Smooth, slim design
- Coped ends
- Troughed bed
- 10 belt widths

OVERALL LENGTH	BED LENGTH	OVERALL LENGTH WITH CENTER DRIVE	14 CONVEYOR WEIGHTS (LBS.)										
			BELT WIDTH										
			6"	8"	10"	12"	14"	16"	18"	20"	24"	30"	
			BETWEEN SIDE GUIDES										
			7"	9"	11"	13"	15"	17"	19"	21"	25"	31"	
			OVERALL BED WIDTH										
			8"	10"	12"	14"	16"	18"	20"	22"	26"	32"	
6'	5'	6'	4 IN. DIA. DRIVE PULLEY	235	251	267	283	299	315	331	347	378	418
11'	10'	11'		295	315	335	355	375	395	415	435	475	531
16'	15'	16'		345	369	393	417	440	464	488	512	559	633
21'	20'	21'		413	441	469	497	524	500	528	556	616	733
26'	25'	26'		465	497	529	561	591	558	590	623	691	832
31'	30'	31'		527	563	599	635	669	627	663	700	777	938
36'	35'	36'		510	598	637	678	726	673	712	752	837	1,021
41'	40'	41'		644	687	730	758	816	755	798	843	938	1,143
46'	45'	46'		675	721	737	816	875	800	847	896	998	1,224
51'	50'	51'		758	809	860	911	961	882	933	985	1,095	1,342
56'-4"	55'	56'	8 IN. DIA. DRIVE PULLEY	856	909	938	1,029	1,095	1,010	1,069	1,129	1,253	1,529
61'-4"	60'	61'		935	998	1,061	1,124	1,185	1,092	1,155	1,220	1,364	1,673
66'-4"	65'	66'		974	1,033	1,099	1,167	1,242	1,138	1,204	1,272	1,424	1,754
71'-4"	70'	71'		1,055	1,126	1,197	1,268	1,339	1,228	1,289	1,371	1,523	1,866
76'-4"	75'	76'		1,093	1,159	1,234	1,311	1,394	1,273	1,338	1,424	1,583	1,947
81'-4"	80'	81'		1,169	1,248	1,327	1,406	1,484	1,366	1,434	1,515	1,684	2,071
86'-4"	85'	86'		1,177	1,281	1,364	1,449	1,539	1,400	1,483	1,568	1,744	2,152
91'-4"	90'	91'		1,214	1,370	1,457	1,544	1,629	1,482	1,569	1,657	1,870	2,327
96'-4"	95'	96'		1,325	1,405	1,495	1,587	1,686	1,528	1,618	1,709	1,930	2,408
101'-4"	100'	101'		1,414	1,494	1,588	1,682	1,776	1,610	1,704	1,800	2,001	2,472

STANDARD SPECIFICATIONS

BELT – Black Trackmate 120 EMB

BED – 4 in. deep x 12 ga. powder coated steel slider bed with 2 1/2" deep guides. Standard 5 ft. and 10 ft. long bolt-together sections with splice plates.

END DRIVE – Located on discharge end of conveyor. Chain guard is on left-hand side when standing at infeed looking toward discharge.

DRIVE PULLEY – 4 in dia. with 1 in. dia. shaft at bearings or 8 in. dia. with 1 7/16 in. dia. shaft at bearings. Machined, crowned and fully lagged.

TAIL PULLEY – 4 in. dia. with 1 in. dia. shaft at bearings. Machined snub.

CROWN ROLLERS – Adjustable. 2 1/8 in. dia. roller. Grease packed ball bearings. Includes guard.

RETURN ROLLERS – Adjustable 1.9 in. dia. rollers. Grease packed ball bearings

TAKE-UP – Provides 4 in. of belt take-up at tail pulley.

BEARINGS – Sealed, pre-lubricated, self-aligning, ball bearings on drive and tail pulleys.

BELT SPEED – Constant 65 FPM

SPEED REDUCTION - Sealed worm gear C-face speed reducer with No. 50 roller chain to drive pulley.

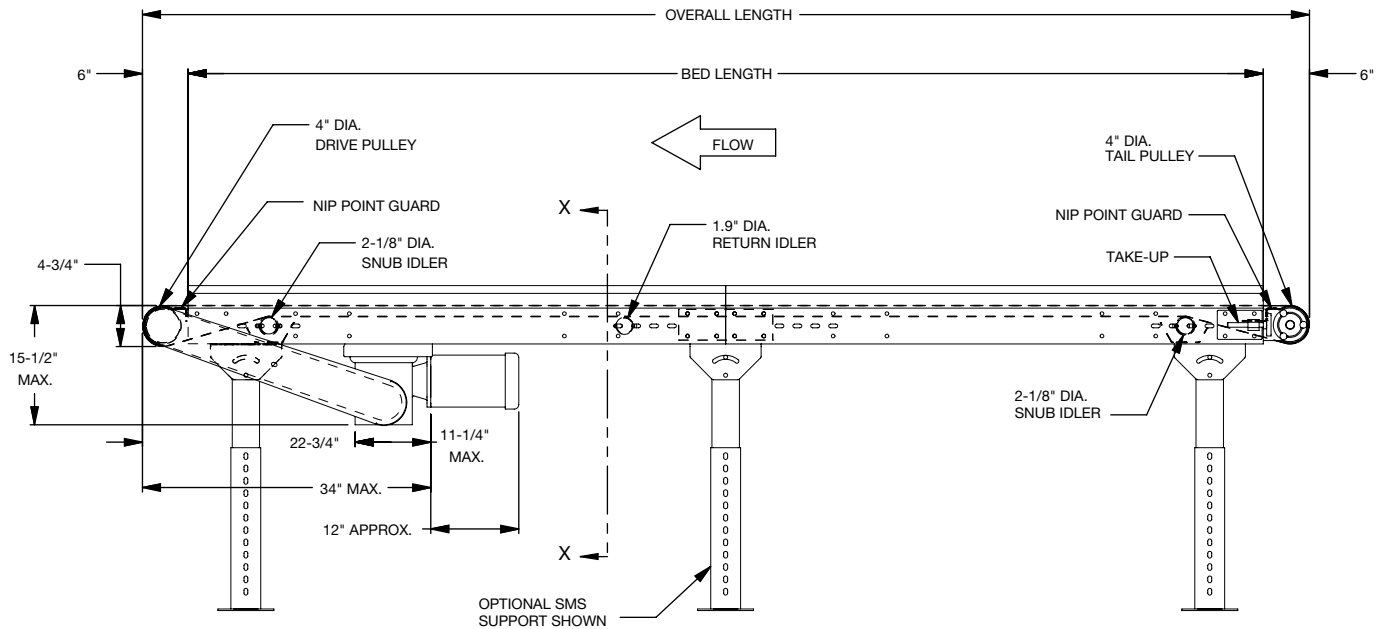
MOTOR – 1/2 HP – 230/460 V – 3 phase – 60 Hz totally enclosed fan cooled

FRAME CAPACITY – Maximum load per linear foot of conveyor is 75 lbs. Not to exceed drive capacity in chart.

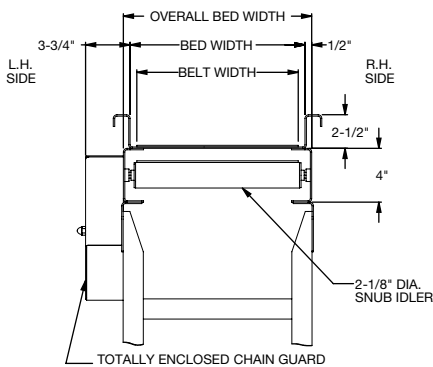
FPM	HP	Belt Width	LOAD CAPACITY (LBS.)						
			HORIZONTAL W/ STANDARD BELT				25° INCLINE W/ ROUGHTOP BELT		
			4" Drive Pulley		8" Drive Pulley		11'	31'	
35	1/2	6"-16"	800	790	770	740	720	330	325
		18"-30"	790	760	720	680	640	325	315
		6"-16"	825†	1,730*	1,710*	1,690	1,660	725*	715*
	1	18"-30"	825†	1,690*	1,660*	1,620	1,580	715*	700*
		6"-16"	470	450	430	405	390	195	185
		18"-30"	450	420	390	340	300	185	175
65	1/2	6"-16"	825†	1,030	1,010	980	960	435	425
		18"-30"	825†	1,000	960	920	880	425	415
		6"-16"	825†	2,090*	2,070*	2,050	2,030	875*	870*
	1	18"-30"	825†	2,060*	2,030*	1,980	1,950	865*	855*
		6"-16"	325	310	290	265	240	135	125
		18"-30"	310	275	245	195	160	130	115
100	1/2	6"-16"	720	705	690	660	640	300	290
		18"-30"	710	675	640	595	555	295	280
		6"-16"	825†	1,430	1,415	1,390	1,365	600	595
	1	18"-30"	825†	1,400	1,370	1,320	1,280	595	580
		6"-16"	250	235	215	190	170	105	95
		18"-30"	235	200	170	120	85	95	85
135	1/2	6"-16"	535	520	500	475	455	225	215
		18"-30"	520	485	455	405	370	215	205
		6"-16"	825†	1,100	1,085	1,055	1,035	465	455
	1	18"-30"	825†	1,070	1,035	990	950	455	445
		6"-16"	250	235	215	190	170	105	95
		18"-30"	235	200	170	120	85	95	85

* Requires 8" diameter drive pulley in lieu of 4" diameter. † Limited by conveyor capacity

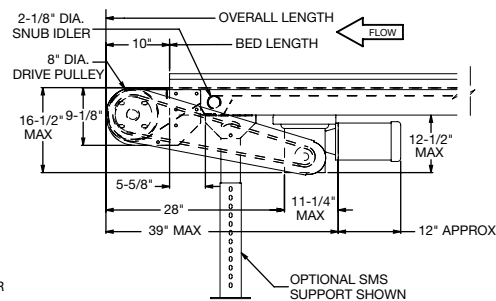
4" END DRIVE



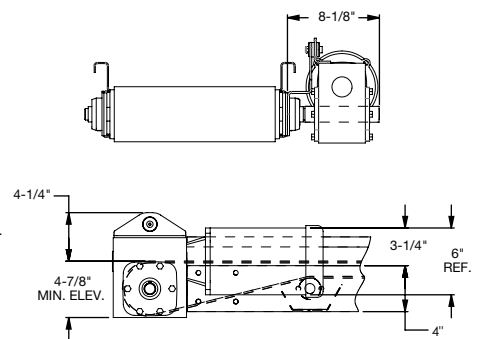
SECTION VIEW X - X



8" END DRIVE



4" SHAFT MOUNTED DRIVE



OPTIONAL EQUIPMENT

FLOOR SUPPORTS – SMS floor supports are available in wide range of adjustments. Specify top of belt elevation. One support is required at every bed joint and at ends of conveyor. Holes in feet are provided for lagging to floor. Knee braces supplied on MS-7 support and above.

BELT – Tan Glidetop, White Polymate 100 RMP – COS, Black Trackmate 120 Roughtop with PVC cover

BELT SPEED – Other constant and variable speeds

- 4 in. dia. drive pulley: 35, 40, 50, 65, 80, 100 and 135 FPM
- 8 in. dia. drive pulley: 35 – 135 FPM in any increment
- Consult factory for speeds not listed above

HIGHER SIDES – 4 in., 6 in., 9 in. or 12 in. high vertical sides (12 in. maximum)

OTHER PULLEY OPTIONS

- 8 in. dia. drive pulley with 1 7/16 in. dia. shaft at bearings in lieu of 4 in. dia. drive pulley
- 6 in. dia. tail pulley with 1 3/16 in. dia. shaft at bearings in lieu of 4 in. dia. tail pulley
- 1 1/8 in. dia. nose roller assembly in lieu of 4 in. dia. tail pulley. Center drive is required.

MOTORS – Energy efficient, single phase, brake motor, other characteristics. 2 HP maximum.

SHAFT MOUNTED END DRIVE – 4 in. dia. drive pulley only. Drive unit mounted on extended pulley shaft. Mounting bracket and torque arm enable multiple mounting positions. 4 7/8 in. minimum elevation.

CENTER DRIVE / TAKE-UP – Provides 16 in. of belt take-up and is suitable for reversing applications.

- Standard underhung drive (4 in. dia. drive pulley): 16 in. minimum elevation. 78 in. minimum OAL.
- Standard underhung drive (8 in. dia. drive pulley): 17 in. minimum elevation. 78 in. minimum OAL.
- Side mount drive/low elevation center drive (4 in. or 8 in. dia. drive pulley): 13 1/2 in. minimum elevation. 66 in. minimum OAL.

OTHER DRIVE VARIATIONS – Side mounted end or center drives

UNDERSIDE TAKE-UP – Provides 16 in. of belt take-up. Extends down 13 1/8 in. from top of belt.

GRAVITY BRACKETS – Brackets and support bar allows skate wheel or 1 3/8 in. dia. gravity roller conveyor to be supported at end of belt conveyor. Includes 1 in. dia. pop-out transfer roller.

BUTT COUPLINGS – Brackets allow 1.9 in. / 2 in. dia. gravity roller conveyor along with other conveyors to be attached to end of belt conveyor. Includes 1 in. dia. pop-out transfer roller. Center drive or underside take-up recommended if butt couplings are to be located at tail end.

OTHER ACCESSORIES – Floor supports with casters, poly-tier supports, ceiling hangars. See accessory section.

ELECTRICAL CONTROLS – One direction manual start switch, reversing drum switch, non-reversing and reversible IEC starters, push button stations, AC variable frequency drive.